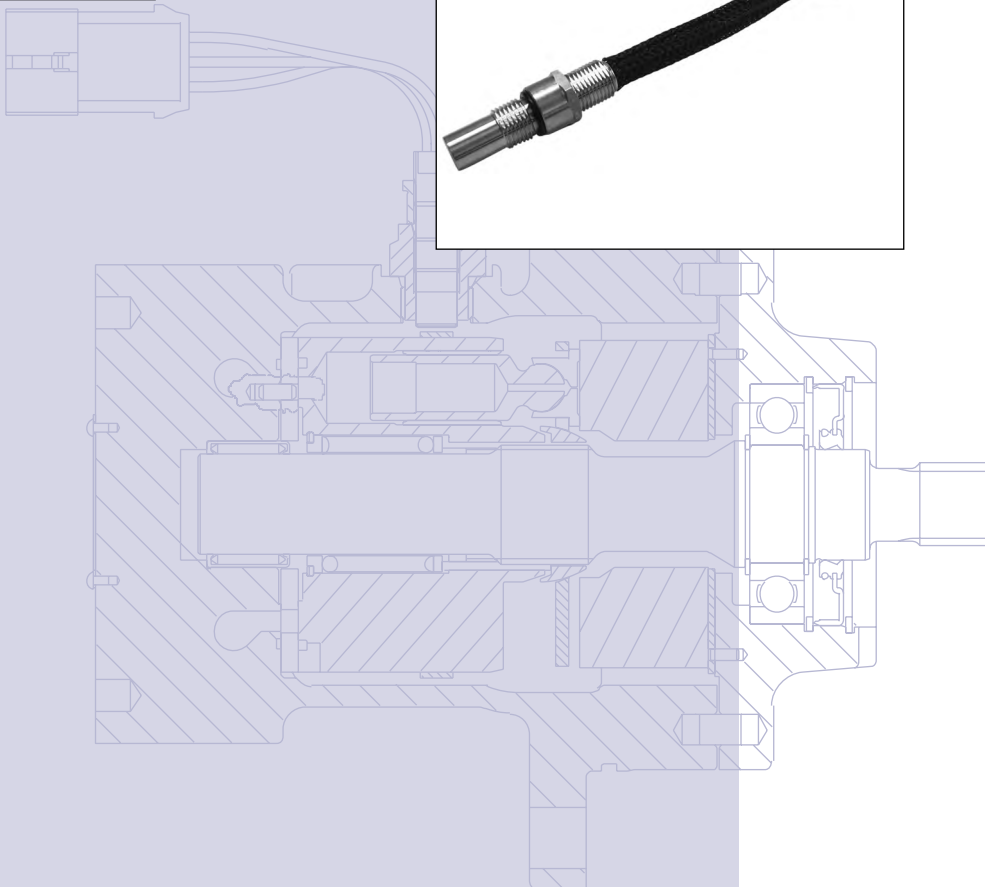


Technical
Information



Version

Revisions

Date	Page	Changed	Rev.
09 Jul 2013	7	Corrected illustration title to Non-adjustable Wire Configuration (flat end and conical end)	BB
10 Aug 2009	6, 9-12, 18	Various content updated; Ordering Information; PPU Quick Reference table; Connector Pin Assignments	BA
25 Sep 2008	Various pages	Updated BLN-95-9045 to Technical Information (TI) format; updated Part Number Quick Reference table and various content	AA

© 2013 Sauer-Danfoss. All rights reserved.

Sauer-Danfoss accepts no responsibility for possible errors in catalogs, brochures and other printed material. Sauer-Danfoss reserves the right to alter its products without prior notice. This also applies to products already ordered provided that such alterations can be made without affecting agreed specifications. All trademarks in this material are properties of their respective owners. Sauer-Danfoss, the Sauer-Danfoss logotype, the Sauer-Danfoss S-icon, PLUS+1™, What really matters is inside® and Know-How in Motion™ are trademarks of the Sauer-Danfoss Group.

Product Overview	Description	4
	Features	4
	Technical Data	4
	Theory of Operation.....	5
	Improvements	6
	D Revision (June 1996).....	6
	E Revision (September 1996).....	6
	F Revision (June 1999)	6
	G Revision (February 2002)	6
	Dimensions.....	7
	Considerations	8
	Supply Voltage.....	8
	Directional versus Non-directional KPPs	8
	Housings	8
	4-wire KPP.....	8
Ordering Information	Ordering Nomenclature.....	9
	Ordering Nomenclature Codes and Definitions	10
	PPU Quick Reference.....	11
	Speed Rings.....	13
Product Installation	Procedures for Flat End and Conical End Models	14
	Procedure A	14
	Procedure B:.....	14
	Procedure C.....	15
	Procedure D	15
	Procedure E	15
	Installation Diagrams	16
	System Wiring Guidelines.....	17
	Connector Pin Assignments	18
	Troubleshooting Steps	18

Description

The KPP pulse pickup accepts a supply voltage and, in response to the speed of a permanently magnetized speed ring on the motor's cylinder block or shaft, outputs a digital pulse signal. The output changes its high/low state as the north and south poles of the speed ring pass by the sensor's face. Because the output is digital, the KPP is ideal for low-speed measurement.

The KPP is designed for rugged outdoor, mobile, or heavy industrial speed-sensing applications that do not allow contact with the rotating shaft. It is custom-designed for Sauer-Danfoss pumps and motors.

Features

- Choice of directional or non-directional devices
- Choice of Delphi/Packard Weather-Pack®, Turck Eurofast® or Deutsch® connectors
- Rugged housing designed to withstand extreme environments
- You can order pre-mounted in Sauer-Danfoss pumps and motors
- You can use with digital or analog controllers
- Suitable for zero speed measurements

Technical Data

Electrical and Environmental Data

Electrical		
Supply voltage (two ranges)		
Regulated 4.5 to 8.5 Vdc	Battery 7 to 32 Vdc	
Maximum operating current		
20 mA at 1 Hz and 5 Vdc supply		
Required current		
12 mA at 5 Vdc (no load)		
Output voltage in high state		
Supply voltage minus 0.5 Vdc minimum (no load)		
Output voltage in low state		
0.5 Vdc, maximum (no load)		
Maximum frequency		
15 kHz		
Load		
15 kΩ to both ground and supply		
Peak transient voltage		
80 Vdc for 2 milliseconds, 4.5 to 8.5 Vdc models	300 Vdc for 2 milliseconds, 7 to 32 Vdc models	200 Vdc for 100 milliseconds, 7 to 32 Vdc models
Peak reverse voltage		
-15 Vdc continuous, 4.5 to 8.5 Vdc models	-32 Vdc continuous, 7 to 32 Vdc models	
Environmental		
Operating and storage temperature		
-40° to 110° C [-40° to 230° F]		

Theory of Operation

An external source powers the KPP pulse pickup (PPU). It needs a magnetic field to pass by its Hall switch(s) to provide a speed signal. The speed ring on the cylinder block has alternately magnetized north and south segments. For the non-directional PPU (KPPX12X), when a north segment is above the Hall switch, the switch output voltage is high, and when a south segment is above the switch, output is low. The digital (on-off-on-off) pulse train feeds to a controller, that interprets its rate of change as a speed.

The direction-sensing PPU (KPPA13X) uses two Hall sensors mounted side-by-side in the same case. With proper orientation, the pulse train output from one sensor leads the other sensor by 90°. A logic circuit decodes the two signals to give a direction indication at the speed output (high or low depending on direction). For quadrature directional signal, the logic is bypassed and the direction signal is phase shifted by a nominal of 90° from the signal A. Refer to *Directional Pulse Train*, on this page below.

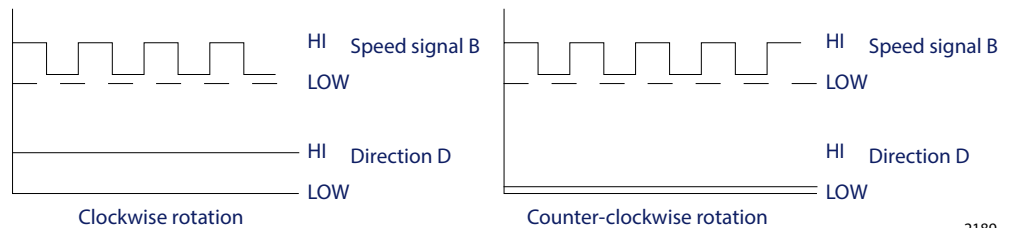
Do not attempt to apply a quadrature output PPU without first consulting with a Sauer-Danfoss field applications engineer for specific application requirements.

The KPPC,D,E models are an improved version of the KPPA12X PPU. It is not necessary to align the flats on its housing with the speed ring for proper speed readings.

Refer to *Typical Speed Control*, page 13, as an example of a simple closed-loop speed control application for the PPU. Connections for a three and four-wire application, refer to *Connection Diagram*, page 17.

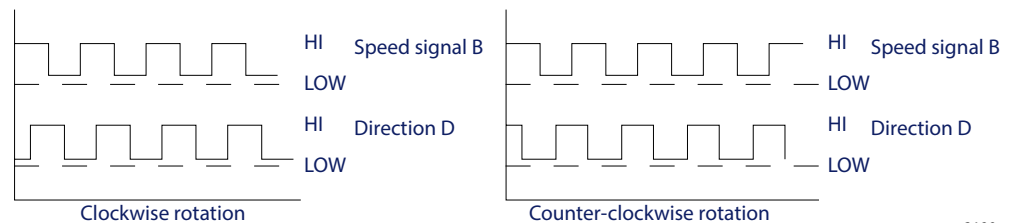
The KPPXN8Nnn divides the standard signal output by two.

Directional Pulse Train



2189

Quad Directional Pulse Train



2190

Improvements

Continuous improvements to reduce environmental effects of moisture and corrosive liquids found in some mobile environments include:

D Revision (June 1996)

- Use of a potting compound around the lead wires exiting the housing was eliminated.
 - The sealing now works like an O-ring:
- The internal cavity of the housing was filled with a silicone oil.
- The wires now pass through a molded rubber piece compressed between two plates.

E Revision (September 1996)

- Silicone oil was replaced with a firm compound.
- External housing was changed to a zinc chromate finish.

F Revision (June 1999)

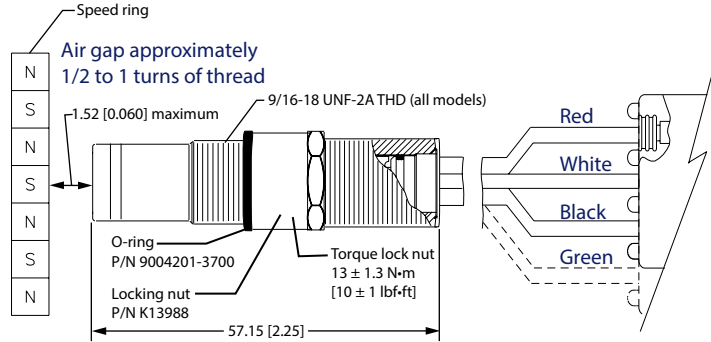
- The internal wire to the circuit board joint was modified.
- A new seal received and the circuit board assembly was improved.

G Revision (February 2002)

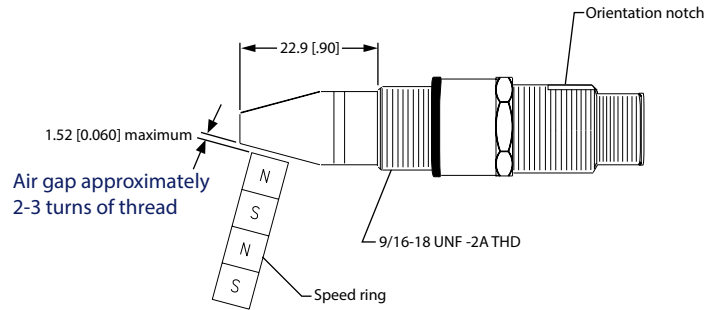
- The housing is now machined from a solid block of aluminum-silicone-bronze.

Dimensions

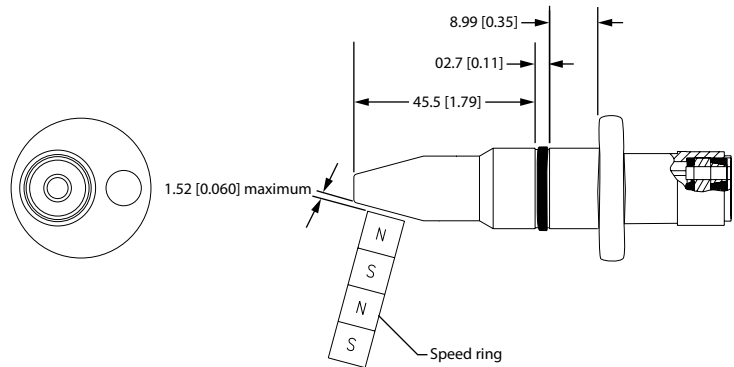
Common Lead Wire Configuration (flat end)



Configuration Used Only for Series 51 and 51-1 Cartridge Motors (conical end)



Non-adjustable Wire Configuration (conical end)



Dimensions in mm [inches].

Considerations

When specifying the pulse pickup there are important considerations listed below. For KPP selection see *Ordering Nomenclature*, page 9 and *Part Number Quick Reference*, pages 11 to 12.

Supply Voltage

You cannot power most KPP models directly from a battery because of the voltage transients (voltage spikes above 15 Vdc) that may cause permanent damage. Battery voltage transients are a common occurrence with 12 or 24 Vdc systems.

Most mobile systems have an alternator that helps ensure a given voltage level but does not prevent against voltage transients. Therefore you must use a separate voltage regulator as the voltage source for the majority of KPP models.

Those applications using a microcontroller can utilize their 5 Vdc regulated power supply to power the KPP models that are rated 4.5 to 8.5 Vdc. It is acceptable when powering the 4.5 to 8.5 Vdc models to use a *regulated* 15 Vdc maximum.

Directional versus Non-directional KPPs

When sensing speed only and supplying the KPP directly from the battery, always specify a KPP model that is rated 7 to 32 Vdc. If you require directional sensing, ensure the supply voltage is regulated.

Housings

There are two basic housings flat end and conical end. Refer to *Dimensions*, page 7.

4-wire KPP

The 4-wire KPP can be used when only speed sensing is required. For these applications connect to pins A, B, C. Fill the unused cavity (D) with a cavity plug (refer to *Common Lead Wire Configuration (flat end)*, page 7). Use the cavity plug offered in the 4 pin mating electrical connector kit, which is used with the 4 pin Delphi/Packard Weather-Pack connector (Sauer-Danfoss part number K03379).

Ordering Nomenclature

	KPP	X	X	X	X	XX
Hall effect PPU						
Revision						
Mechanical configuration (housing)						
<u>1</u> Flat end						
<u>2</u> Conical end						
<u>3</u> Conical end, fixed position						
<u>4</u> Flat end, fixed position						
Electrical configuration						
<u>2</u> Regulated supply 4.5 to 8.5 Vdc, 3 connection, non-directional, wire fault detection						
<u>3</u> Regulated supply 4.5 to 8.5 Vdc, 4 connection, directional, wire fault detection, low current						
<u>4</u> Regulated supply 4.5 to 8.5 Vdc, 4 connection, directional, wire fault on speed signal, open collector on direction signal						
<u>5</u> Regulated supply 4.5 to 8.5 Vdc, 4 connection, directional wire fault detection, high current, filtered speed output						
<u>6</u> Battery supply 7 to 32 Vdc, 3 connection, non-directional, limited wire fault detection						
<u>7</u> Regulated supply 4.5 to 8.5 Vdc, 4 connection, directional, wire fault detection, low current, quad output**						
<u>8</u> Regulated supply 4.5 to 8.5 Vdc, 4 connection, directional, wire fault detection, low current, output signal divided by 2						
<u>9</u> Regulated supply 4.5 to 8.5 Vdc, 4 connection, directional, wire fault detection, high current, quad output**						
<u>A</u> Battery supply 7 to 32 Vdc, 4 connection, directional, limited wire fault detection, high current, quad output**						
<u>B</u> Regulated supply 4.5 to 8.5 Vdc, 3 connection, non-directional, wire fault detection, high current, filtered speed output						
Electrical connector						
<u>1</u> Amp Mate-n-Lok						
<u>4</u> ¹ Delphi/Packard Weather-Pack (3 pin) ² Delphi/Packard Weather-Pack (4 pin), used when direction signal is required						
<u>5</u> Delphi/Packard Metri-Pack						
<u>6</u> Integral Turck Eurofast (no leadwires)						
<u>7</u> ¹ Deutsch DT04 (3 pin) ² Deutsch DT04 (4 pin), used when direction signal is required						
<u>8</u> Delphi/Packard Metri-Pack 150 series plug						
<u>9</u> Delphi/Packard Metri-Pack 150 series jack						
All leadwire length is described in inches unless denoted with <i>m</i> (meters)						
Specialties						
<u>A</u> Special connector pinouts						
<u>B</u> Special connector pins						

**Do not attempt to apply a quadrature output PPU without first consulting with a Sauer-Danfoss field applications engineer for specific application requirements.

**Ordering Nomenclature
Codes and Definitions**

Mechanical Configuration (Housing)

Code	Description
1	Flat end: Typical use, Sauer-Danfoss Series 90 pump and motor, M46 pump and motor, Series 42 pump (M46 pump pending)
2	Conical end: Typical use, Sauer-Danfoss Series 51 and 51-1 MV cartridge type motor

Electrical Configuration

Code	Description
2	Non-directional: Common, supply voltage 4.5 to 8.5 Vdc, 3 wire connection, speed sensing only with wire fault detection
3	Directional: Common, supply voltage 4.5 to 8.5 Vdc, 4-wire connection, direction and speed sensing with wire fault detection capability on both its speed and direction signals. Can also be used if only speed sensing is required (3 wire connection)
4	Directional: Special, supply voltage 4.5 to 8.5 Vdc, 4-wire connection, directional sensing signal compatible with the standard DC2 digital input lines. Higher current sinking capability and no wire fault detection for the direction signal only which can sink up to 20 mA and source nothing (open collector).
5	Directional: Special, supply voltage 4.5 to 8.5 Vdc, 4-wire connection, direction and speed sensing with wire fault detection capability on both its speed and direction signals. Capable of driving higher currents from its outputs. Special provision to filter the speed output signal for reducing electromagnetic emissions
6	Non-Directional: Common, supply voltage 7 to 32 Vdc, 3 wire connection, speed sensing only with limited wire fault detection
7	Directional: Special, supply voltage 4.5 to 8.5 Vdc, 4 wire connection, direction and speed sensing with wire fault detection capability, low current, features quadrature (decoded) directional output**
8	Directional: Common, supply voltage 4.5 to 8.5 Vdc, 4 wire connection, direction and speed divided by 2 sensing with wire fault detection capability on both its speed and direction signals
9	Directional: Special, supply voltage 4.5 to 8.5 Vdc, 4 wire connection, high current, direction and speed sensing with wire fault detection capability, high current, features quadrature (decoded) directional output**
A	Directional: Special, supply voltage 7 to 32 Vdc, 4 wire connection, direction and speed sensing with wire fault detection capability, high current, features quadrature (decoded) directional output**
B	Non-directional: Special, supply voltage 4.5 to 8.5 Vdc, 3 wire connection, speed sensing with wire fault detection capability, high current, filtered speed output

**Do not attempt to apply a quadrature output PPU without first consulting with a Sauer-Danfoss field applications engineer for specific application requirements.

Electrical Connector

Code	Mating connector kit description	Sauer-Danfoss part number
4	Delphi/Packard Weather Pack 3 pin shroud	K08620
	Delphi/Packard Weather Pack 4 pin tower, used when directional signal is required	K03379
5	Delphi/Packard Metri-Pack 3 pin	K10309
6	Turck Eurofast 4 pin	K14956 (straight); K14957 (right angle)
7	Deutsch, 3 pin	K22335
	Deutsch, 4 pin, used when directional signal is required	K23511
8	Delphi/Packard Metri-Pack 4 pin plug	K22254
9	Delphi/Packard Metri-Pack 4 pin jack	K32219

PPU Quick Reference

Table continues on
page 12.

Reference *Ordering
Nomenclature and
Nomenclature Codes
and Definitions*,
pages 9 and 10.

Material number		Supply voltage (Vdc)		Application		Electrical connector
		4.5 to 8.5	7 to 32	Common	Special	
	KPPG12408	X		X		4 ¹
	KPPG12508	X		X		5
	KPPG126	X		X		6
	KPPG12703A	X			X	7 ¹
	KPPG12704A	X			X	7 ¹
	KPPG12730A	X			X	7 ¹
	KPPG1273MA	X			X	7 ¹
	KPPG13403	X			X	4 ²
	KPPG13408	X		X		4 ²
	KPPG13436	X			X	4 ²
	KPPG136	X		X		6
	KPPG13703	X		X		7 ²
	KPPG13704	X			X	7 ²
	KPPG13808	X		X		8
	KPPG14408	X			X	4 ²
	KPPG146	X			X	6
	KPPG15408	X			X	4 ²
	KPPG156	X			X	6
11046858	KPPG15824	X			X	8
	KPPG16008		X	X		4 ²
	KPPG16408		X	X		4 ¹
	KPPG16508		X	X		5
	KPPG16511		X	X		5
	KPPG166		X	X		6
	KPPG16703A		X		X	7 ¹
	KPPG16704A		X		X	7 ¹
	KPPG16708		X	X		7 ¹
	KPPG16708B		X	X		7 ¹
	KPPG16719		X			7 ¹
	KPPG18408	X				4 ²
	KPPG18708	X		X		7 ²
	KPPG197XXB	X		X		7 ¹
	KPPG22408	X			X	4 ¹
	KPPG23408	X		X		4 ²
	KPPG236	X		X		6
	KPPG23703	X		X		7 ²
	KPPG23808	X		X		8
	KPPG256	X			X	6
	KPPG25808	X			X	8
	KPPG26008		X		X	4 ²
	KPPG26408		X	X		4 ¹
	KPPG26508		X	X		5
	KPPG266		X	X		6
	KPPG26708		X	X		7 ¹
	KPPG26708B		X	X		7 ¹
	KPPG26724A		X		X	7 ¹
	KPPG33703*	X		X		7 ²
	KPPG356*	X			X	6

* Conical end, fixed position.

**PPU Quick Reference
(continued)**

Reference Ordering
Nomenclature and
Nomenclature Codes
and Definitions,
pages 9 and 10.

Material number		Supply voltage (Vdc)		Application		Electrical connector
		4.5 to 8.5	7 to 32	Common	Special	
	KPPG35708*	X			X	7 ²
	KPPG35808*	X			X	8
	KPPG36708*		X		X	7 ¹
	KPPG36708B*		X		X	7 ¹
	KPPG36708B*		X		X	7 ²
	KPPG456**	X			X	6
11068105	KPPG4A408**		X		X	4 ²
	KPPG4B724B**	X			X	7 ¹

* Conical end, fixed position.

** Flat end, fixed position.

Speed Rings

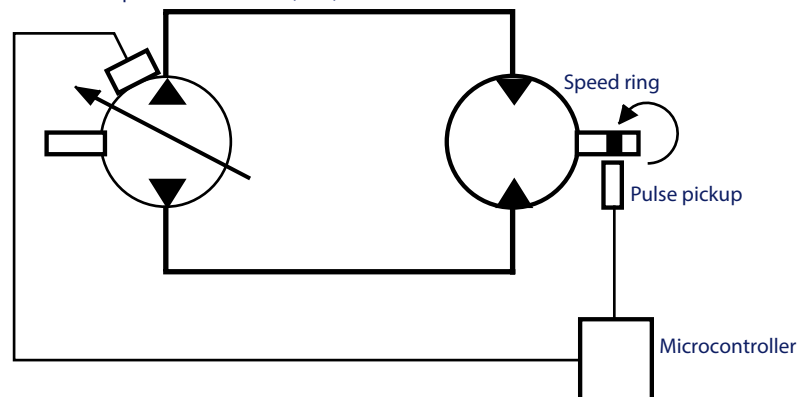
Speed rings vary according to the diameter of cylinder block to which they are attached. You may order them directly from the pump manufacturer or a Sauer-Danfoss Global Service Partner may retrofit them to existing pumps and motors (mounting requires some specialized tooling). Order them using numbers in the following table. Pump and motor listed is typical. Several may use the same speed ring.

Speed Ring Part Numbers

Speed ring part number	Pump/motor	Total pole pairs per revolution
KK14701	51V060	45
KK14702	51V080	49
KK14703	51V110	54
KK14704	51V160	61
KK14705	51V250	71
KK14706	M25 & 90P030	43
KK14707	90P042	48
KK14708	90P055	52
KK14709	90P075	58
KK14710	90P100	63
KK14711	90P130	69
KK14712	LV25 & 42P028	41
KK14713	40P046	51
KK14714	SMF21089	65
KK14715	60/470	78
KK14716	60/1048	101
KK14717	60/1750	121
KK14718	60/780	93
KK14719	60/606	86
KK14720	90P180	77
KK14721	90P250	85
KK14722	42P041	47
KK14723	MF035 & 044D	46

Typical Speed Control

Electrical displacement control (EDC)



1668A

**Procedures for Flat End
and Conical End Models**

Refer to *Installation Diagrams*, page 16, regarding these procedures.

Procedure A

Non-directional KPP flat end models. Models included: KPPG12XXX, KPPG16XXX.
Installation steps:

1. Turn in (CW) by hand until bottom end gently touches the speed ring.
2. Back out (CCW) 1/2 to 3/4 turn.
3. Using a 1/2 inch wrench to hold the KPP, torque the lock nut to 13 N•m [10 lbf•ft] with an 11/16 inch hex wrench.

Procedure B:

Directional KPP flat end models. Models included: KPPG13XXX, KPPG14XXX, KPPG15XXX, KPPG18XXX. Installation steps:

1. Turn in (CW) by hand until bottom end gently touches the speed ring.
2. Back out (CCW) 1/4 turn. Continue backing out until the flats are 22° (most open-end wrenches have a 22° offset) either side of pump or motor shaft center line (20° to 30° is acceptable). Do not back out the KPP more than 3/4 of a turn from touching.
3. Using the 1/2 inch wrench to hold the KPP, torque the lock nut to 13 N•m [10 lbf•ft] with an 11/16 inch hex wrench.
4. Special KPP FLAT END models include: KPPG17XXX, KPPG19XXX, KPPG1AXXX.
Installation range is application specific:
5. Turn in (CW) by hand until bottom end gently touches the speed ring.
6. Back out (CCW) 1/4 turn. Continue backing out until the flats are 22° (most open-end wrenches have a 22° offset) either side of pump or motor shaft center line (acceptable range is determined per application). Do not back out the KPP more than 3/4 of a turn from touching.
7. Using the 1/2 inch wrench to hold the KPP, torque the lock nut to 13 N•m [10 lbf•ft] with an 11/16 inch hex wrench.

**Procedures for Flat End
and Conical End Models
(continued)**

Procedure C

Non-directional and Directional KPP conical end models. Models included: KPPG2XXXX.

Installation steps:

1. Turn in (CW) by hand until bottom end gently touches the speed ring.
2. Back out (CCW) 2 turns. Continue backing out until the KPP orientation notch is $180 \pm 15^\circ$ to motor shaft center line, (reference *Directional Conical End Models, Series 51 and 51-1 Cartridge Motors Only*, page 17).
3. Using the 1/2 inch wrench to hold the KPP, torque the lock nut to 13 N·m [10 lbf·ft] with an 11/16 inch hex wrench.

Special KPP CONE END models include: KPPG29XXX. Installation range is application specific:

1. Turn in (CW) by hand until bottom end gently touches the speed ring.
2. Back out (CCW) 1 turn. Continue backing out until the KPP Orientation Notch is 180° to motor shaft center line, acceptable range is determined per application, (reference *Directional Conical End Models, Series 51 and 51-1 Cartridge Motors Only*, page 17).
3. Using the 1/2 inch wrench to hold the KPP, torque the lock nut to 13 N·m [10 lbf·ft] with an 11/16 inch hex wrench.

Procedure D

When Directional KPP flat end models are used for sensing speed only, the same installation steps in Procedure A are acceptable. Models included: KPPG13XXX, KPPG14XXX, KPPG15XXX, KPPG18XXX.

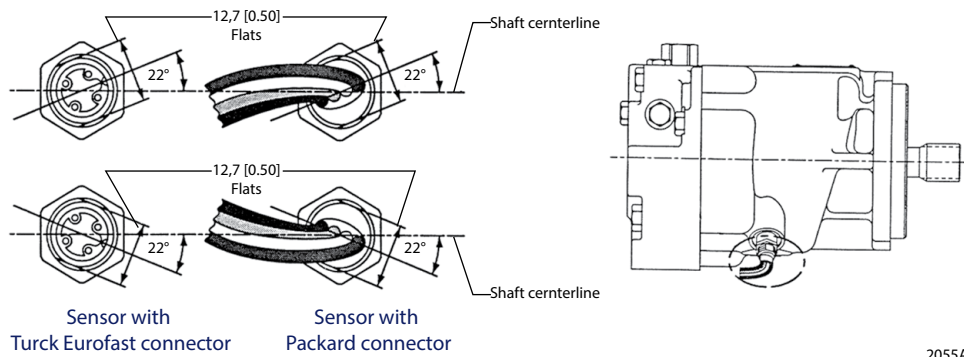
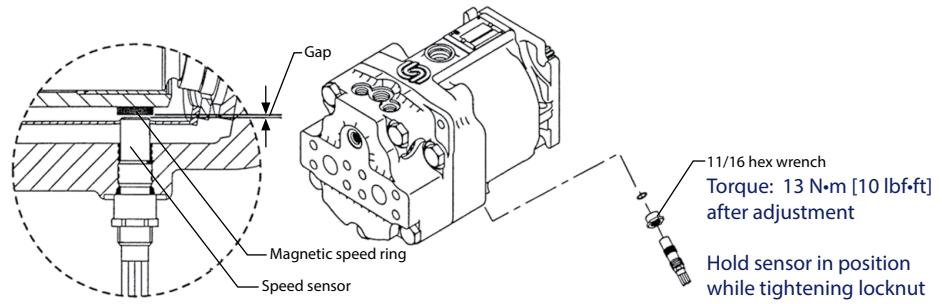
Procedure E

Fixed position. Non-directional and Directional KPP conical end models KPP3XXXX and flat end models KPP4XXXX. Installation steps:

1. Insert PPU housing; align the hole in mounting flange with mounting hole in block housing.
2. Torque M6x12 capscrew 8 ± 1 N·m [5.9 ± 0.7 lbf·ft].

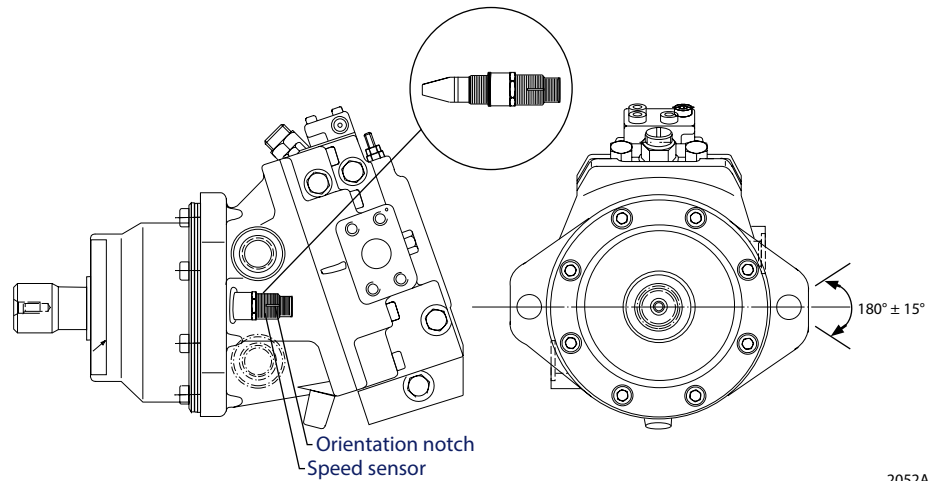
Installation Diagrams

Pulse Pickup Installation



2055A

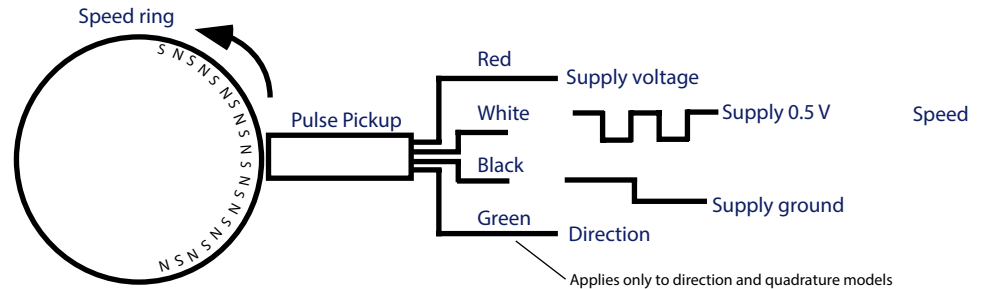
Directional Conical End Models, Series 51 and 51-1 Cartridge Motors Only



2052A

**Installation Diagrams
(continued)**

Connection Diagram



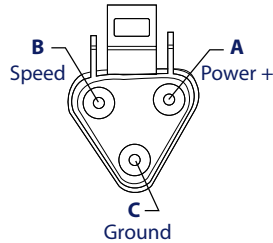
1669C

System Wiring Guidelines

1. Protect all wires from mechanical abuse. Run wire in flexible metal or plastic conduits.
2. Separate high current wires such as solenoids, lights, alternators, or fuel pumps from control wires.
3. Run wires along the inside of, or close to metal machine frame surfaces where possible. This simulates a shield, which minimizes the effects of EMI/RFI radiation.
4. Do not run wires near sharp metal corners. Consider running the wire through a grommet when rounding a corner.
5. Do not run wires near hot machine member or engine exhaust pipes
6. Provide strain relief for all wires.
7. Avoid running wires near moving or vibrating components.
8. Avoid long, unsupported wire spans.
9. Use harness anchors that allow wires to float rather than rigid anchors.

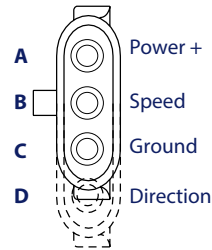
Connector Pin Assignments

3 pin Deutsch Plug DT Series connector



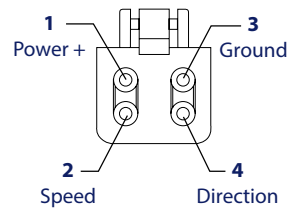
3523

3 or 4 pin Delphi Connector



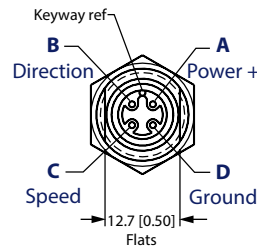
3524A

4 pin Deutsch® Plug DT Series Connector



3525

4 pin Turck Eurofast connector



3526

Troubleshooting Steps

The following steps require a 1/2 inch open end wrench with standard 22° offset and a Volt Ohm Meter (VOM):

1. Installation

First ensure that KPP is installed correctly. There are distinct directional and installation procedures, (reference *Procedures for Flat End and Conical End Models*, page 14 to 15).

2. Speed Signal

Check for speed output using a VOM. Place VOM across the ground and speed pins or terminals, (reference *Dimensions*, page 7) and set VOM to the DC Volt scale and low range. To check for an output, turn pump or motor very slowly by hand or check output just as the prime mover is coming to a stop. Note a voltage pulse at meter. It will likely be difficult to read exactly, simply note a pulse (approximately. 60 pulses per rev.). If there is no indication of a pulse, replace KPP.

3. Directional Signal

Check for a direction signal change using a VOM. Use the same VOM setup as in the above speed signal check. Turn the motor slowly and note a polarity change (\pm) on the VOM display as you change the motor direction.



Technical Information
KPP Pulse Pickup (PPU)
Notes



- Bent Axis Motors
- Closed Circuit Axial Piston Pumps and Motors
- Displays
- Electrohydraulic Power Steering
- Electrohydraulics
- Hydraulic Power Steering
- Integrated Systems
- Joysticks and Control Handles
- Microcontrollers and Software
- Open Circuit Axial Piston Pumps
- Orbital Motors
- PLUS+1™ GUIDE
- Proportional Valves
- Sensors
- Steering
- Transit Mixer Drives

Members of the Sauer-Danfoss Group

Comatrol

www.comatrol.com

Schwarz Müller-Inverter

www.schwarzmueller-inverter.com

Turolla

www.turollaocg.com

Hydro-Gear

www.hydro-gear.com

Sauer-Danfoss-Daikin

www.sauer-danfoss-daikin.com

Sauer-Danfoss is a global manufacturer and supplier of high-quality hydraulic and electronic components. We specialize in providing state-of-the-art technology and solutions that excel in the harsh operating conditions of the mobile off-highway market. Building on our extensive applications expertise, we work closely with our customers to ensure exceptional performance for a broad range of off-highway vehicles.

We can help speed up system development, reduce costs and bring your vehicles to market faster. Sauer-Danfoss – Your Strongest Partner in Mobile Hydraulics.

Go to www.sauer-danfoss.com for further product information.

Wherever off-highway vehicles are at work, so is Sauer-Danfoss.

We offer expert worldwide support for our customers, ensuring the best possible solutions for outstanding performance. And with an extensive network of Global Service Partners, we also provide comprehensive global service for all of our components.

Local address:

Sauer-Danfoss (US) Company
2800 East 13th Street
Ames, IA 50010, USA
Phone: +1 515 239 6000
Fax: +1 515 239 6618

Sauer-Danfoss ApS
DK-6430 Nordborg, Denmark
Phone: +45 7488 4444
Fax: +45 7488 4400

Sauer-Danfoss GmbH & Co. OHG
Postfach 2460, D-24531 Neumünster
Krokamp 35, D-24539 Neumünster, Germany
Phone: +49 4321 871 0
Fax: +49 4321 871 122

Sauer-Danfoss-Daikin LTD.
Shin-Osaka TERASAKI 3rd Bldg. 6F
1-5-28 Nishimiyahara, Yodogawa-ku
Osaka 532-0004, Japan
Phone: +81 6 6395 6066
Fax: +81 6 6395 8585

www.sauer-danfoss.com